



High Voltage Transistors

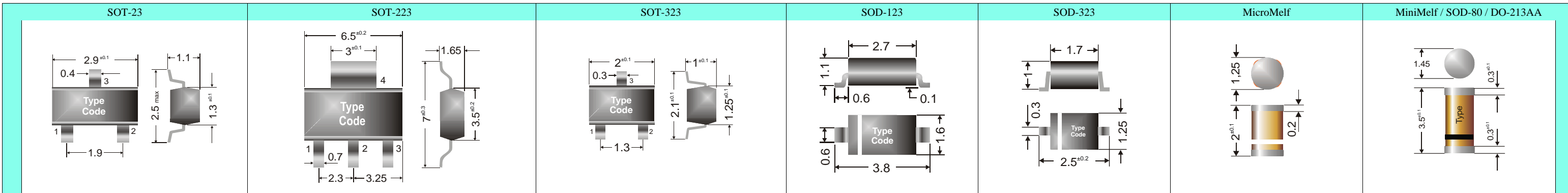
|          |          |         |         |  |  |  |  |        |        |  |  |
|----------|----------|---------|---------|--|--|--|--|--------|--------|--|--|
| BF820    | BF821    | BF720   | BF721   |  |  |  |  | MPSA42 | MPSA92 |  |  |
| BF822    | BF823    | BF722   | BF723   |  |  |  |  | MPSA43 |        |  |  |
| BFN22    | BFN23    | PZTA42  | PZTA92  |  |  |  |  |        |        |  |  |
| MMBT642  | MMBT692  | PZTA43  | PZTA93  |  |  |  |  |        |        |  |  |
| MMBT5550 | MMBT5400 | PZT5550 | PZT5400 |  |  |  |  |        |        |  |  |
| MMBT5551 | MMBT5401 | PZT5551 | PZT5401 |  |  |  |  |        |        |  |  |

High Current Transistors

|  |  |         |         |  |  |  |  |  |  |  |  |
|--|--|---------|---------|--|--|--|--|--|--|--|--|
|  |  | MZT122  | MZT127  |  |  |  |  |  |  |  |  |
|  |  | MZT3055 | MZT2955 |  |  |  |  |  |  |  |  |
|  |  | MZT31C  | MZT32C  |  |  |  |  |  |  |  |  |
|  |  |         | MZT749  |  |  |  |  |  |  |  |  |
|  |  |         | MZT750  |  |  |  |  |  |  |  |  |
|  |  |         | MZT240C |  |  |  |  |  |  |  |  |

High Frequency Transistors

|         |  |  |  |  |  |  |  |  |  |  |  |
|---------|--|--|--|--|--|--|--|--|--|--|--|
| BF554   |  |  |  |  |  |  |  |  |  |  |  |
| BF599   |  |  |  |  |  |  |  |  |  |  |  |
| BFS18   |  |  |  |  |  |  |  |  |  |  |  |
| BFS19   |  |  |  |  |  |  |  |  |  |  |  |
| BFS20   |  |  |  |  |  |  |  |  |  |  |  |
| MMBT918 |  |  |  |  |  |  |  |  |  |  |  |



Small Signal Diodes / Switching Diodes

|  |  |  |         |          |         |        |
|--|--|--|---------|----------|---------|--------|
| BAL99                                  |  | BAL99W                                   | 1N4148W | 1N4148WS | MCL4148 | LL4148 |
| BAR99                                  |  | BAS16W                                   |         |          |         | LL4150 |
| BAS16                                  |  | BAV70W - Double Diode - com. cathode     |         |          |         | LL4151 |
| BAS19...BAS21                          |  | BAV99W - Double Diode - series connect.  |         |          |         | LL4448 |
| BAV70 - Double Diode - com. cath.      |  | BAW56W - Double Diode - common anode     |         |          |         |        |
| BAV99 - Double Diode - series connect. |  | MSD2836 - Double Diode - common anode    |         |          |         |        |
| BAW56 - Double Diode - com. anode      |  | MSD2838 - Double Diode - com. cathode    |         |          |         |        |
| SD914                                  |  | MSD4448                                  |         |          |         |        |
| SD4150                                 |  | MSD7000 - Double Diode - series connect. |         |          |         |        |

Schottky Diodes

|  |  |   |  |  |         |         |        |        |
|--|--|---|--|--|---------|---------|--------|--------|
| BAT54 - Single Diode                       |  | BAT54W - Single Diode                       |  |  | MCL101C | MCL103C | LL101C | LL103C |
| BAT54A - Double Diode - common anodes      |  | BAT54AW - Double Diode - common anodes      |  |  | MCL101B | MCL103B | LL101B | LL103B |
| BAT54C - Double Diode - com. cathodes      |  | BAT54CW - Double Diode - com. cathodes      |  |  | MCL101A | MCL103A | LL101A | LL103A |
| BAT54S - Double Diodes - series connection |  | BAT54SW - Double Diodes - series connection |  |  | BAT54R  |         |        |        |

Zener Diodes

|   |  |   |                       |                    |                   |               |
|---|--|---|-----------------------|--------------------|-------------------|---------------|
| BZX84C2V7...47                              |  | BZX84C4V7W...33W                                | MMSZ5221B...MMSZ5268B | MM3Z2V0...MM3Z120V | ZMC1...ZMC100     | ZMM1...ZMM100 |
| 2BZX84C2V7...47 - Double Diode common anode |  | ABZX84C4V7W...33W - Double Diodes common. anode |                       |                    | ZMC5221...ZMC5271 |               |