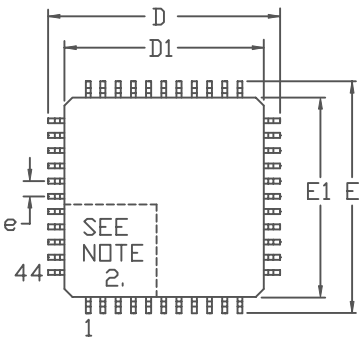
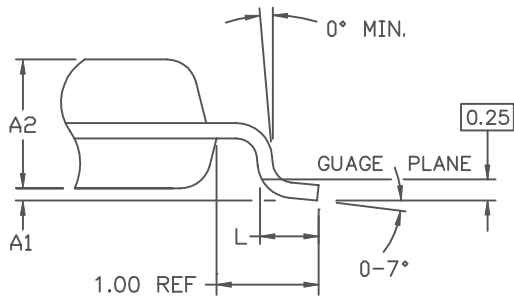
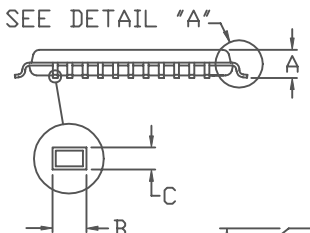


REVISIONS			
LTR	DESCRIPTION	DATE	APPROVED
A	NEW DRAWING	2/13/95	K. D.
B	PER ECN # 10819		



- NOTES:
1. DIMENSIONS D1 AND E1 INCLUDE MOLD MISMATCH, BUT DO NOT INCLUDE MOLD PROTRUSION; ALLOWABLE PROTRUSION IS 0.25 MM PER SIDE.
 2. DETAILS OF PIN 1 IDENTIFIER ARE OPTIONAL BUT MUST BE LOCATED WITHIN THE ZONE INDICATED.
 3. ALLOWABLE DAMBAR PROTRUSION IS 0.08 MM TOTAL IN EXCESS OF THE B DIMENSION; AT MAXIMUM MATERIAL CONDITION. PROTRUSION NOT TO BE LOCATED ON LOWER RADIUS OR FOOT OF LEAD.
 4. CONTROLLING DIMENSIONS: MILLIMETERS.

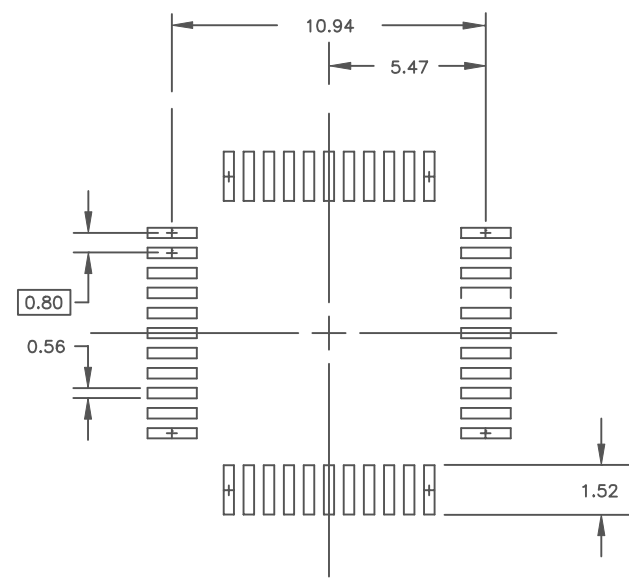


DIM	MIN	MAX
A	-	1.20
A1	0.05	0.15
A2	0.95	1.05
D	11.80	12.20
D1	10.00	BSC
E	11.80	12.20
E1	10.00	BSC
L	0.45	0.75
e	0.80	BSC
B	0.30	0.45
C	0.09	0.20

DETAIL A

DIMENSIONS ARE IN MILLIMETERS

SUGGESTED PAD LAYOUT
44 PIN TQFP, 10*10*1.0



SIGNATURE		DATE				
DOC. CONTROL: K. DEELEY		2/13/95				
ENGR. MGR: B.MCCARTY		2/95				
MFG. ENGR: C.SELLS		2/8/95				
CHECKED BY: C.SELLS		10/94	TITLE MARKETING OUTLINE, 44 LD. TQFP 10 X 10 X 1.00 MM BODY			
DRAWN BY: M.W.C.		10/94	SIZE A	FSCM NO	PART NO. 56-G4012-001	REV B
DO NOT SCALE DWG.		SCALE N/A	SHEET 1 OF 1			