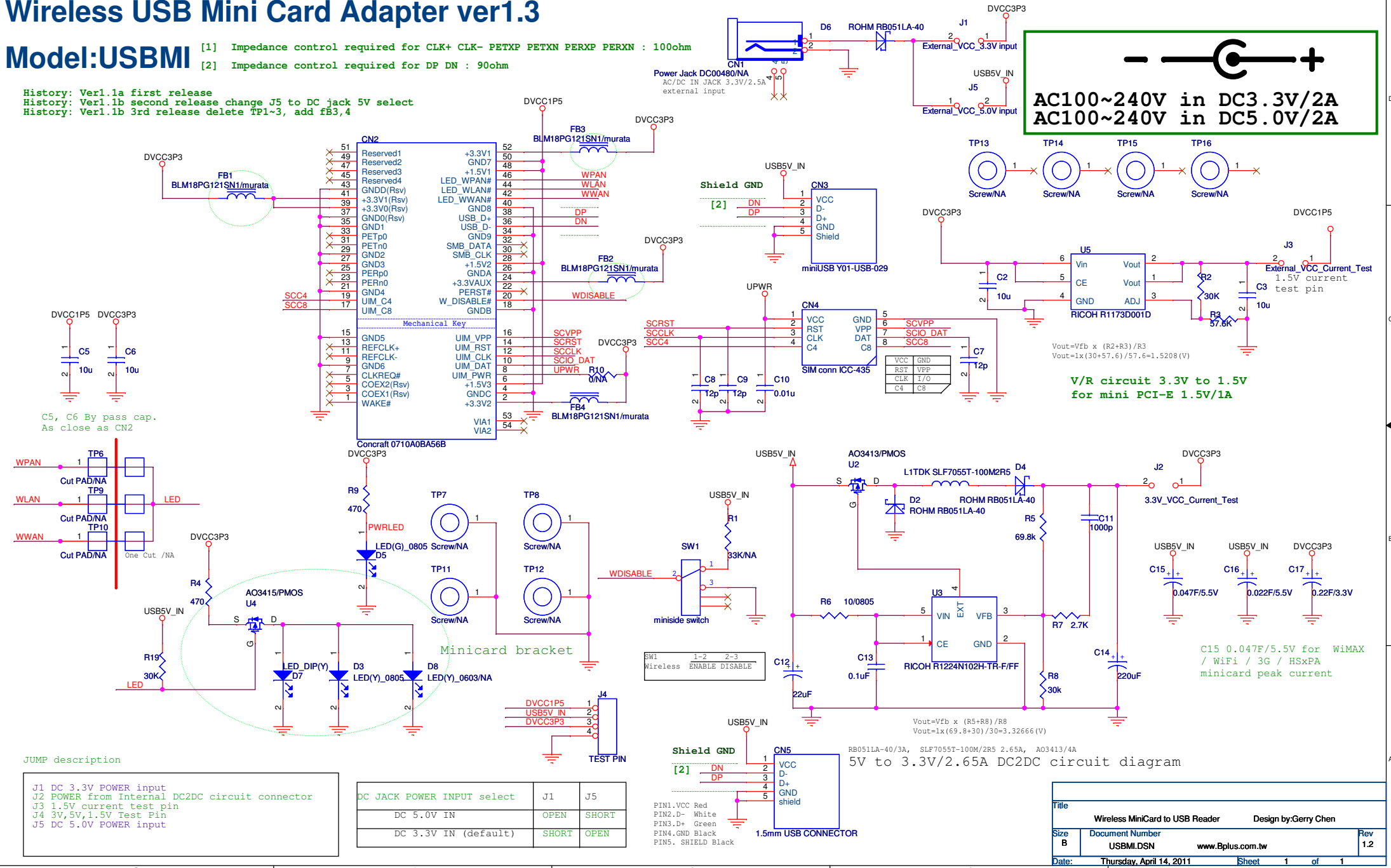


# Wireless USB Mini Card Adapter ver1.3

Model:USBMI

- [1] Impedance control required for CLK+ CLK- PETXP PETXN PERXP PERXN : 100ohm
- [2] Impedance control required for DP DN : 90ohm

History: Ver1.1a first release  
 History: Ver1.1b second release change J5 to DC jack 5V select  
 History: Ver1.1b 3rd release delete TP1~3, add fB3,4



AC100~240V in DC3.3V/2A  
 AC100~240V in DC5.0V/2A

V/R circuit 3.3V to 1.5V  
 for mini PCI-E 1.5V/1A

C15 0.047F/5.5V for WiMAX / WiFi / 3G / HSxPA minicard peak current

C5, C6 By pass cap.  
 As close as CN2

JUMP description

|  |
|--|
| J1 DC 3.3V POWER input                         |
| J2 POWER from Internal DC2DC circuit connector |
| J3 1.5V current test pin                       |
| J4 3V, 5V, 1.5V Test Pin                       |
| J5 DC 5.0V POWER input                         |

| DC JACK POWER INPUT select | J1    | J5    |
|----------------------------|-------|-------|
| DC 5.0V IN                 | OPEN  | SHORT |
| DC 3.3V IN (default)       | SHORT | OPEN  |

|        |                 |                                 |  |                      |         |
|--------|-----------------|---------------------------------|--|----------------------|---------|
| Title  |                 | Wireless MiniCard to USB Reader |  | Design by:Gerry Chen |         |
| Size B | Document Number | USBMI.DSN                       |  | www.Bplus.com.tw     | Rev 1.2 |
|        | Date:           | Thursday, April 14, 2011        |  | Sheet                | 1 of 1  |